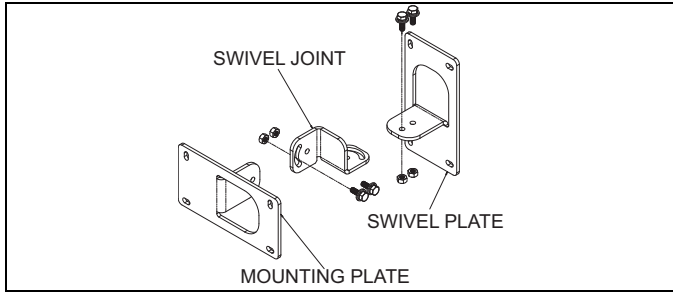


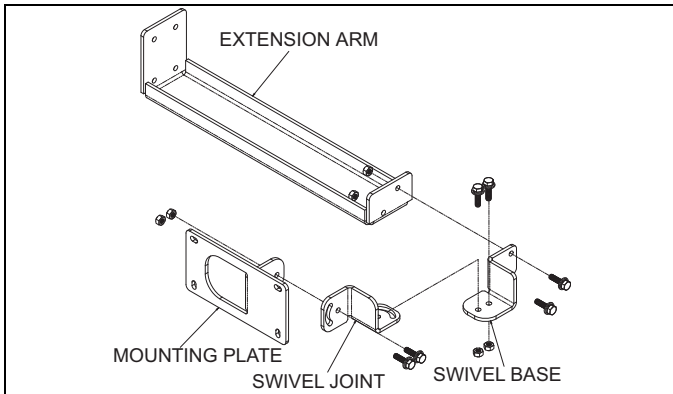
## Introduction

There are three antenna mounting kit configurations, Standard, Heavy Duty and Industrial. The Heavy Duty and Industrial kits offer a choice of either a 16 or a 24 inch extension arm.

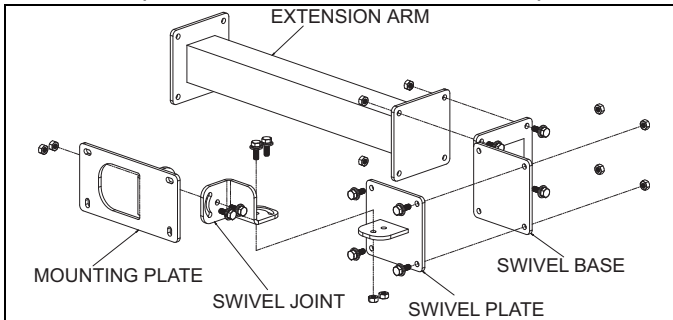
### Standard Antenna Mounting Kit (BRKT-70661-01R)



### Heavy Duty Antenna Mounting Kit (BRKT-70662-01R and BRKT-70663-01R)



### Industrial Antenna Mounting Kit (BRKT-70664-01R and BRKT-70665-01R)



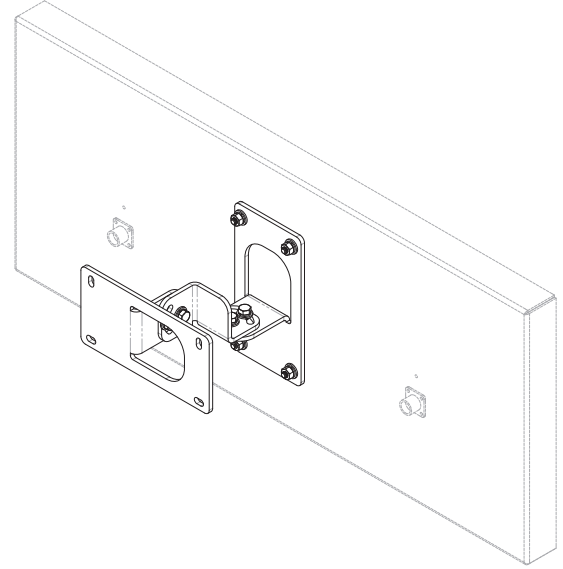
## Mounting

The antenna mounting kits have four 1/4 inch holes to facilitate mounting. Use standard 1/4 inch hardware that is appropriate for the mounting surface. Mount the brackets to provide the best possible signal access. Exercise care not to drill mounting holes that may cause unintended equipment damage. To mount the antenna mounting kit:

1. Use the mounting template (back of this QRG) to mark the appropriate hole pattern.
2. Prepare the mounting surface using pilot holes, molls, etc. that are appropriate for the mounting surface. This hardware is not provided in the mounting kit.
3. Attach the Swivel Joint (for the Standard kit) or the Extension Arm (for the Heavy duty or Industrial kits) to the mounting surface.
4. Attach the remaining swivel bases, swivel plates, swivel joints and the mounting plate as shown for each of the mounting kits.

## Antenna Mounting Brackets

### Quick Reference Guide



© 2016 Zebra Technologies, Inc. All rights reserved.

Zebra reserves the right to make changes to any product to improve reliability, function, or design.

Zebra does not assume any product liability arising out of, or in connection with, the application or use of any product, circuit, or application described herein.

No license is granted, either expressly or by implication, estoppel, or otherwise under any patent right or patent, covering or relating to any combination, system, apparatus, machine, material, method, or process in which Zebra products might be used. An implied license exists only for equipment, circuits, and subsystems contained in Zebra products.

## Warranty

For the complete Zebra hardware product warranty statement, go to: <http://www.zebracom/warranty>.



Zebra Technologies Corporation  
3 Overlook Point  
Lincolnshire, IL 60069, U.S.A.  
<http://www.zebra.com>

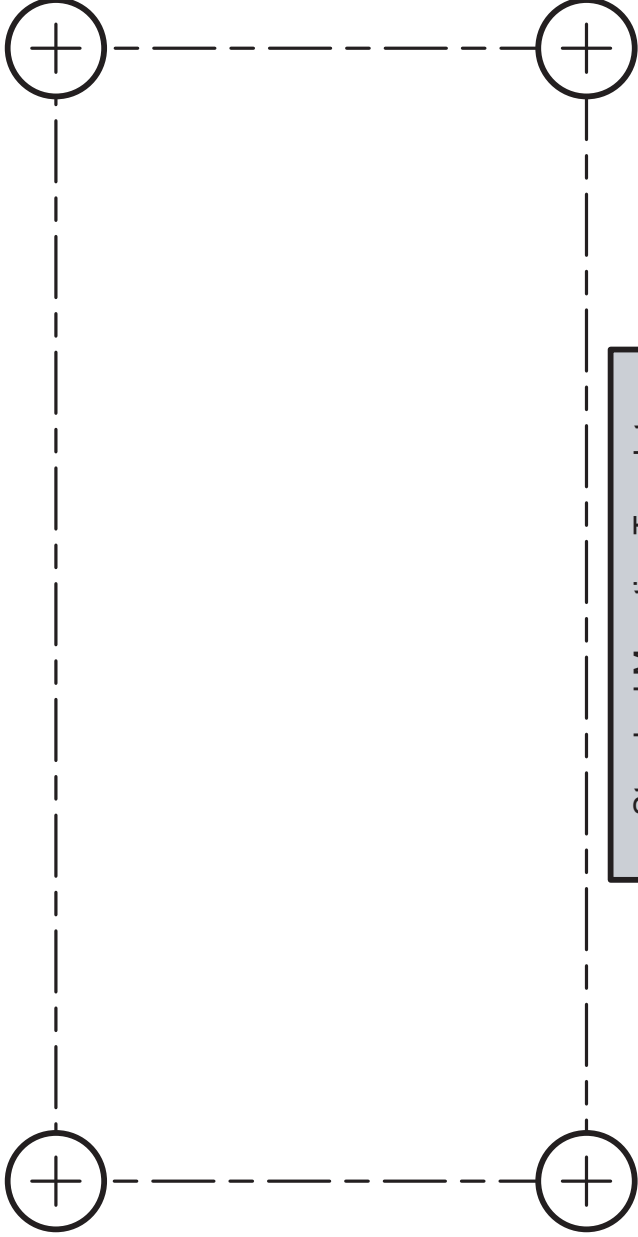
Zebra and the stylized Zebra head are trademarks of ZIH Corp., registered in many jurisdictions worldwide. All other trademarks are the property of their respective owners.

©2016 Symbol Technologies LLC, a subsidiary of Zebra Technologies Corporation. All rights reserved.



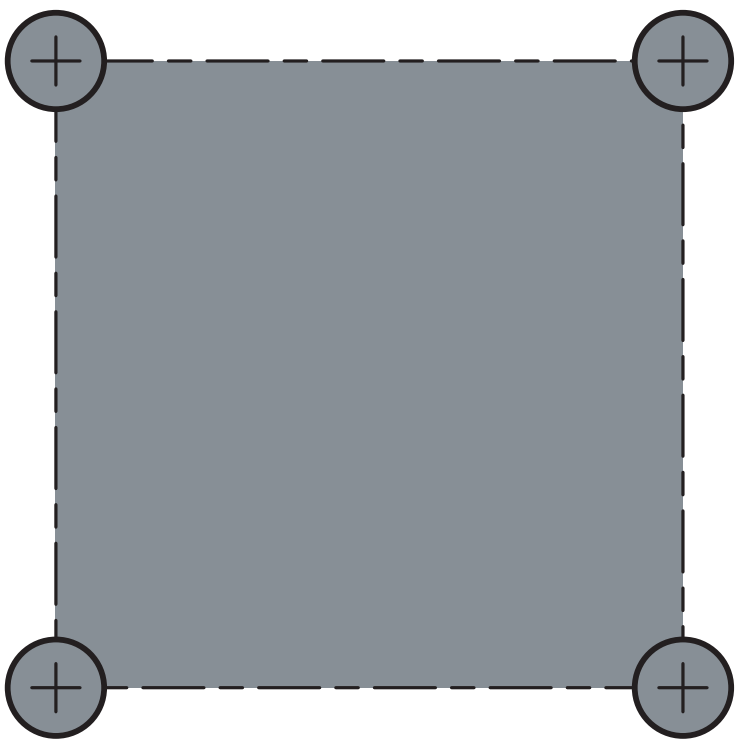
72-96281-02 Revision A — February 2016





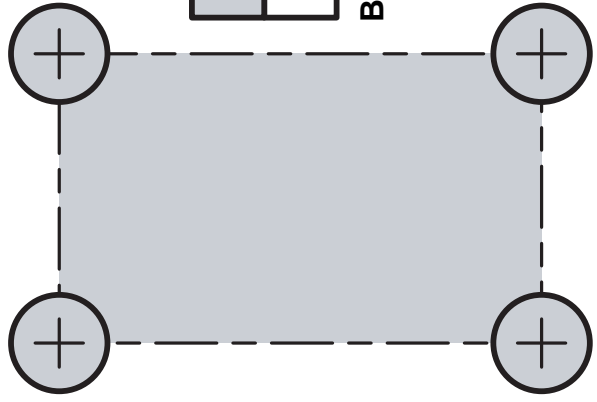
Standard Mounting Template	
Dimensions	2.75" X 5.88"

**BRKT-70661-01R**



Industrial Mounting Template	
Dimensions	3.25" X 3.25"

**BRKT-70664-01R / BRKT-70665-01R**



Heavy Duty Mounting Template	
Dimensions	1.50" X 2.50"

**BRKT-70662-01R / BRKT-70663-01R**

